

DESCRIPTION

AMC MODEL DVAN-8018-100-12 IS A 8.0 TO 12.0 GHz 12 BIT DIGITALLY VARIABLE ATTENUATOR HAVING DYNAMIC RANGE OF 100 dB, AN INSERTION LOSS OF 5.5 dB MAXIMUM, AND A VSWR OF 2.0:1 MAXIMUM.

SPECIFICATIONS

- FREQUENCY RANGE: 8.0 TO 12.0 GHz
- INSERTION LOSS: 5.5 dB MAXIMUM
- VSWR: 2.0:1 MAXIMUM
- FLATNESS:
 - @ 10 dB: ± 0.8 dB MAXIMUM
 - @ 20 dB: ± 1.1 dB MAXIMUM
 - @ 40 dB: ± 1.5 dB MAXIMUM
 - @ 60 dB: ± 1.6 dB MAXIMUM
 - @ 80 dB: ± 2.0 dB MAXIMUM
 - @ 100 dB: ± 3.0 dB MAXIMUM
- ACCURACY:
 - 0-30 dB: ± 0.5 dB MAXIMUM
 - >30-50 dB: ± 1.0 dB MAXIMUM
 - >50-60 dB: ± 1.5 dB MAXIMUM
 - >60-80 dB: ± 2.0 dB MAXIMUM
 - >80-100 dB: ± 2.5 dB MAXIMUM
- MONOTICITY: GUARANTEED
- TEMPERATURE COEFFICIENT: ±0.025 dB/°C
- SWITCHING SPEED: 1 uSec MAXIMUM (SEE NOTE)
- RF POWER RATINGS: +20 dBm (OPERATING), +30 dBm (SURVIVAL)
- CONTROL: 12-BIT POSITIVE TRUE BINARY
- DC POWER SUPPLY: +12V @ 150 mA MAXIMUM
- CONNECTORS: REMOVABLE SMA FEMALE FOR RF
15-PIN MULTIPIN FOR POWER AND CONTROL

NOTE:

1. FOR 500ns SWITCHING SPEED, FLATNESS WILL INCREASE

OPTIONS:

812 = 8.0 - 12.0 GHz FREQUENCY RANGE

GP = GOLD PLATED MOUNTING SURFACE

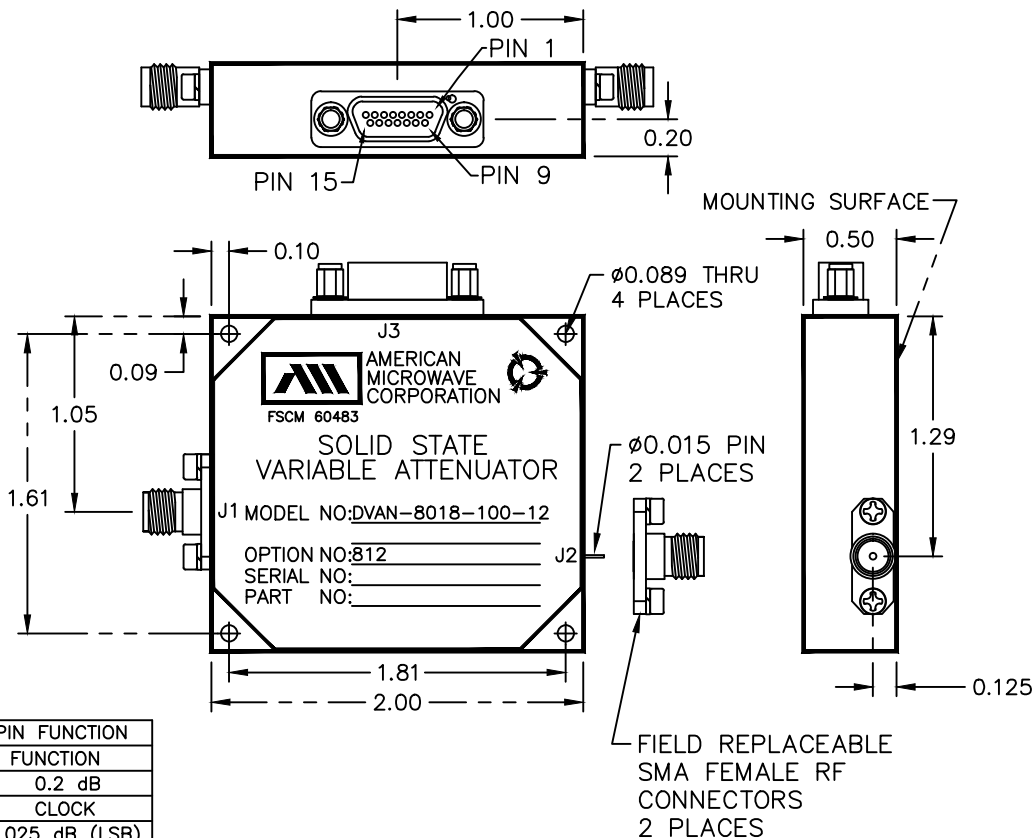
ENVIRONMENTAL RATINGS

- **TEMPERATURE:** -40°C TO +75°C (OPERATING)
-65°C TO +125°C (STORAGE)
- **HUMIDITY:** MIL-STD-202F, METHOD 103B COND. B
- **SHOCK:** MIL-STD-202F, METHOD 213B COND. B
- **VIBRATION:** MIL-STD-202F, METHOD 204D COND. B
- **ALTITUDE:** MIL-STD-202F, METHOD 105C COND. B
- **TEMPERATURE CYCLE:** MIL-STD-202F, METHOD 107D COND. A

NOTE: THE ABOVE SPECIFICATIONS ARE SUBJECT TO CHANGE OR REVISION

* Units are designed to meet Environmental ratings but not tested. If Environmental Testing is required, please contact Sales Department.

REVISIONS				
ZONE	REV.	DESCRIPTION	DATE	APPROVED
	A	ER # 009-21	3/5/2021	RRA



J3 PIN FUNCTION	
PIN	FUNCTION
8	0.2 dB
7	CLOCK
6	0.025 dB (LSB)
5	GND
4	0.38 dB
3	0.75 dB
2	1.5 dB
1	3 dB
15	6 dB
14	12 dB
13	25 dB
12	50 dB (MSB)
11	+12V
10	0.05 dB
9	0.1 dB

ALL DIMENSIONS ARE IN INCHES
TOLERANCES:
X.XX ±0.020
X.XXX ±0.010

AMERICAN MICROWAVE CORPORATION

7309-A GROVE ROAD
FREDERICK, MARYLAND 21704 USA
TEL: 301-662-4700 FAX: 301-662-4938
WEBSITE: www.americanmicrowavecorp.com
E-MAIL: sales@americanmicrowavecorp.com
ISO 9001:2015 CERTIFIED



APPROVALS		DATE	TITLE			
DRAWN	RJW	2/2/21	PRODUCT FEATURE DVAN-8018-100-12 8.0 - 12.0 DIGITALLY VARIABLE ATTENUATOR			
ENG.	RRA	2/2/21	SIZE	FSCM NO.	DWG NO.	REV.
QAE	RRA	2/2/21	A	60483	100-9223	A
			SCALE	N:S	SHEET 1 OF 1	